

TANK PAD PREPARATION

URBAN STEEL TANKS

This guide for pad preparation shall be followed to ensure a correct foundation is laid for your AQUAPLATE® tank. Damage to your tank due to erosion and/or subsidence of the tank pad is not covered by the warranty. Please keep in mind that 1000L of water weighs 1000kg, and this is a significant force. Soft ground (i.e. uncompacted fill) may subside under the weight of a full tank.

The base of your tank is made with double-sided AQUAPLATE® i.e. the inside and outside of the tank base is coated with a polymer film to prevent corrosion. The tank may be installed in direct contact with the tank pad and will not corrode. Hence there is no reason to elevate the tank above ground level nor to interpose any additional material between tank and tank pad (i.e. geofabric, etc.).

All tank pads must be flat and levelled to within +/- 1.0 degrees slope.

While this pad preparation guide shall be followed to guarantee a correct tank pad preparation, the site selection and all related specific details (i.e. unfirm soil due to excessive fill, lack of retaining structures, proximity to structures, presence of underground services, etc) should be referred to an accredited engineer for formal advice. Kingspan Water & Energy accepts no responsibility for the failure of a tank pad resulting from poor site conditions and/or not following this guide.

Do not fill tank above 2 corrugations for at least 48 hours.

Please note that our product warranty will be void if this pad preparation guide has not been followed. Please contact Kingspan or your reseller to confirm that the pad you have selected will meet terms & conditions.

TANK STYLE v PAD TYPE

Tank Style	Pad Type			
	Stand	Paver	Concrete Pad	Crusher Dust
Slimline	✓	✓	✓	✗
Modline	✓	✓	✓	✗
Square	✓	✓	✓	✗
Round (diameter):				
≤1900mm	✓	✓	✓	✗
≤2500mm	✗	✓	✓	✗
≥ 2600mm*	✗	✓	✓	✗

If during the delivery of your tank our team determines that your pad does not comply with these instructions, we reserve the right to return the tank to our yard and charge a re-delivery fee once the pad is rectified.

CONCRETE PAD - **RECOMMENDED CHOICE**

A concrete slab pad is the most suitable pad for your AQUAPLATE® water tank.

Construction of a concrete pad for a water tank needs a minimum of 100mm thick concrete and F62 mesh, on a flat level area. If the tank is to be positioned in an area that is on a slope, then the thickness of the slab is to be increased accordingly and the mesh to be a higher grade.

The slab must be flat, smooth, and level with no more than a 1° slope. Finish with a metal trowel is advisable. Slabs must be at least 100mm longer and wider than the tank.



Slabs must be allowed to cure for at least five days prior to placing tank on slab.

TANK STAND

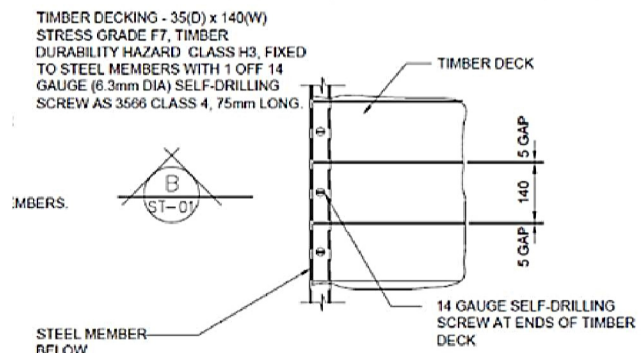
Construction of tank stands must be certified for structural adequacy to support the tank's weight.

Kingspan can provide tank stands engineered to Australian Standards and certified by an independent accredited structural engineer. Kingspan tank stands are available to suit a range of tank models and sizes.

If you intend to supply your own tank stand, consult a structural engineer to ensure the construction and footing is adequate for the chosen tank.



The top of the stand must be flat, smooth, and level. Tank stands may be designed to accommodate a sloping site (i.e. with different leg lengths).



The platform must be in direct contact with minimum 95% of the area of the base of the tank and large enough to support all edges of the tank. With reference to the picture above, the recommended gap between the timber decking boards is 5 mm and must never be greater than 25mm. The tank stand must be level with no more than a 1° slope.

The tank stands must be installed on concrete footings. All concrete footings supporting Tank Stands shall be engineered and constructed in accordance with applicable Australian Standards.

Kingspan does not accept any responsibility for damages arising from use of inadequate tank stands and/or inadequate footings.

TANK PAD PREPARATION

URBAN STEEL TANKS

CONCRETE PAVER PAD

To use a concrete paver pad, the area must be cleared down to firm earth. A paver pad installed on soft ground (i.e. a garden bed) will subside over time and is not advisable.

To achieve the best paver pad then follow the below proven steps:

1. Clear chosen installation site down to firm, flat and leveled earth, remove vegetation and other debris.
2. Apply formwork 100mm larger than the tank size.
Note - *Formwork should be environmentally sustainable, H2F (Termite Treated) treated pine 90 x 45mm.*
3. Spread sand and cement mix 75mm thick into the formwork over the entire base.
4. Screed the sand mix and check that the material is level and flat. Excess slope/gradient can lead to an unstable tank.
5. Compact the base with a plate compactor. Ensure there is adequate compaction (minimum allowable bearing pressure of 120kPa) to avoid subsidence.
6. Lay the concrete pavers flat on top of the compacted base with a maximum gap of 25mm between the pavers.
7. Once laid, shower the pavers with water to set the sand and cement off.



The paver pad must be large enough to support all edges of the tank. The tank may be placed on to paver pad straight away.

SIGNATURE:

The pad for the tank must comply with Kingspan specifications. By signing this document you acknowledge that the tank product warranty is voided if the tank pad does not comply with the **Tank Pad Preparation Guide**.

Reseller name:

Customer name
(if direct purchase):

We take every care to ensure that the information in this document is accurate at the point of publication. Information should not be taken as binding. To ensure you are viewing the most up to date information, please visit: <https://kingspanwatertanks.com.au/urbantankpadpreparation>
©Kingspan and the Lion Device are Registered Trademarks of the Kingspan Group. All rights reserved.
Registered Office: Kingspan Water & Energy Pty Limited, 3 Herbert Place, Smithfield, NSW 2164